



SWIDLUX 69

ALR18 WALLWASHER

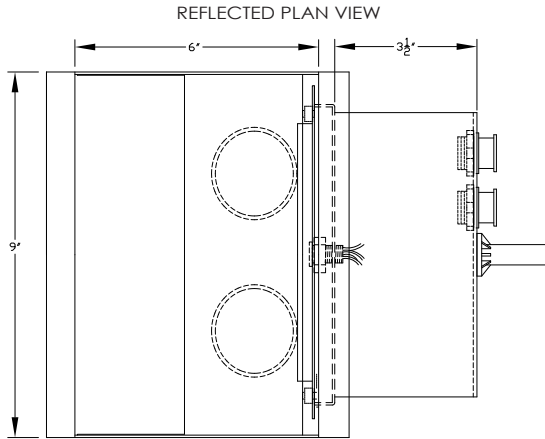
FOR GYPSUM BOARD OR WOOD CEILINGS

SWIDLUX 69 is a two-lamp wallwasher for two 12V 50W incandescent ALR18 lamps, with a 6" by 9" rectangular aperture. Patterned after the Swidlux 46, the SWIDLUX 69 is scaled for larger spaces and higher ceilings. SWIDLUX 69 is designed for flangeless mounting in gypsum board or wood ceilings.

FEATURES:

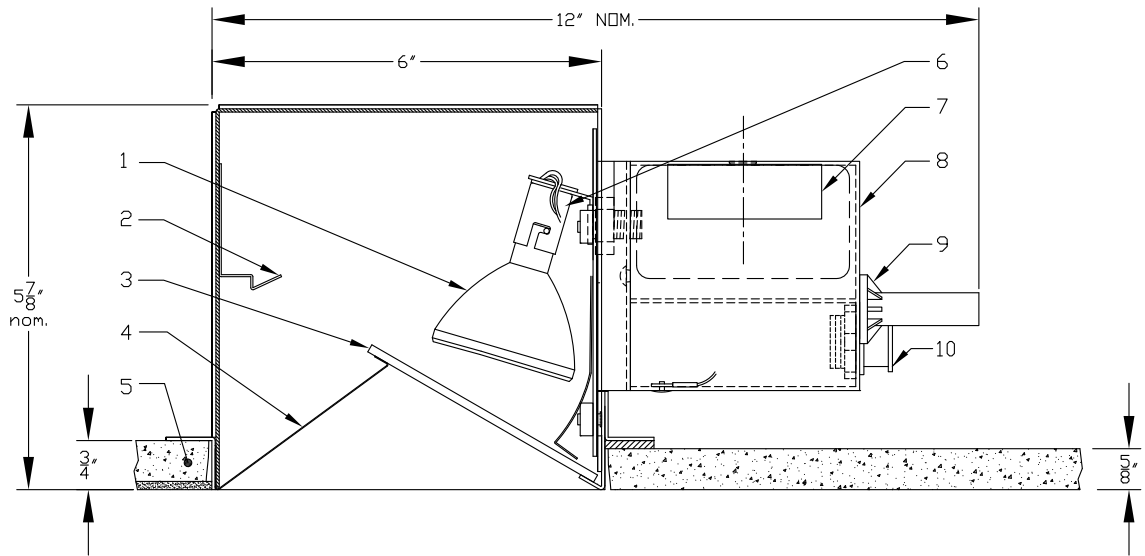
- Discrete 6" x 9" aperture with linear spread w/ light etch lens
- Seamlessly integrates into gypsum board or wood ceilings
- Lamping option 50W ALR18
- Provides soft wallwashing light field
- Non-IC thermally protected luminaire

SWIDLUX 69 is NRTL (Nationally Recognized Testing Laboratory) certified for purposes of OSHA safety standards product-approval requirements.



NOTES:

1. Lamps ALR18 12V 50W (by others)
2. Lens support retaining clip
3. Linear spread w/ light etch glass lens
4. Stainless steel baffle
5. 5/8" Gypsum board or 3/4" wood ceiling
6. Lampholder- bayonet base
7. Transformer
8. Transformer box
9. Thermal Protector
10. Wiring to, from another fixture



ORDERING MATRIX: **SWD69-** _____ - _____

Ceiling	Voltage	Transformer	Interior Finish	Aperture Lens	Additional Accessories
G Gypsum	120 120/12V	E Electronic	W White	LS Linear Spread w/ Light Etch	N None
W Wood		AE AFCI Electronic	C Custom		O Other
		M Magnetic			UVC UV Lens Coating

Contact NULUX directly to specify custom products

2/19/2015