



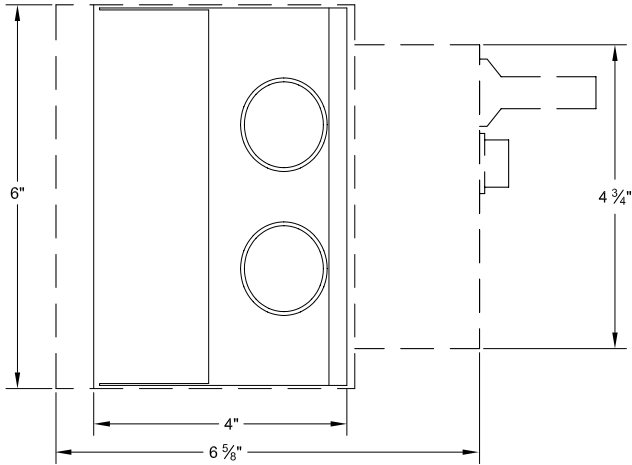
SWIDLUX 46

INTEGRAL ALR12 WALLWASHER

FOR GYPSUM BOARD OR WOOD CEILINGS

SWIDLUX 46 is a two-lamp wallwasher utilizing 12V 20W incandescent ARL12 lamps, with a 4" by 6" rectangular aperture. SWIDLUX expresses its function in a simple, readable form and a reduced scale. The slanted baffle can be finished to match the ceiling, and the light opening is closed with Solite glass. Swidlux works well in intimate modern environments due to its scale and the soft modulation of its light field. SWIDLUX is highly efficient, providing wallwash light levels at 40W per unit. SWIDLUX 46 INTEGRAL is designed for flangeless mounting in gypsum board or wood ceilings.

REFLECTED PLAN VIEW

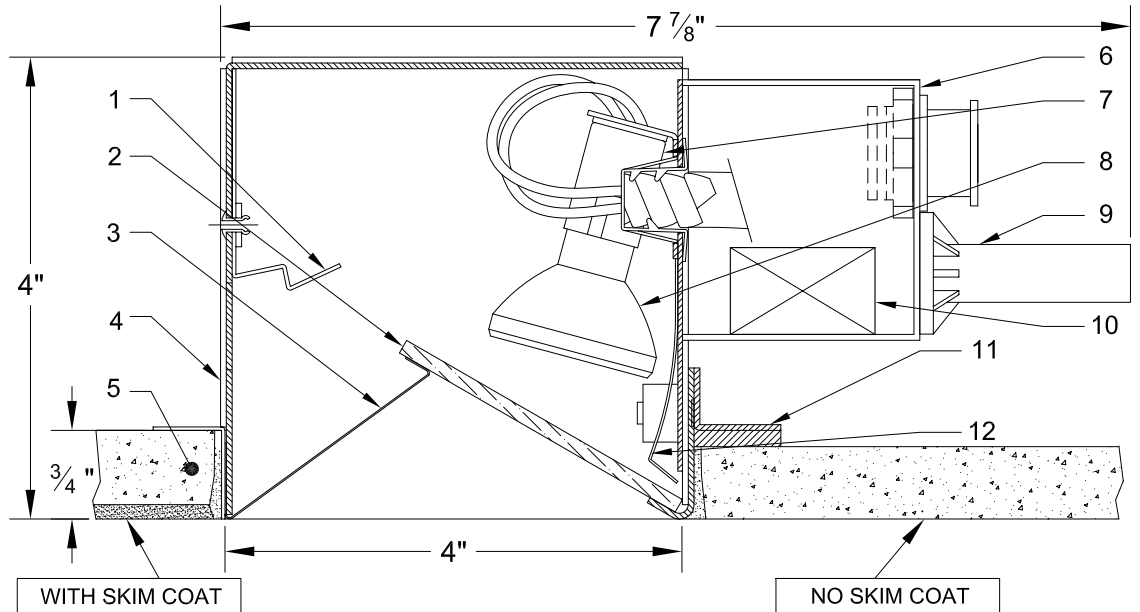


FEATURES:

- Discreet 4" x 6" aperture with solite lens
- 2 x 20W ALR 12V lamps
- Trimless installation for gypsum board or wood ceiling
- Baffles can be finished to match ceiling
- Integral transformer
- Non-IC thermally protected luminaire

NOTES:

1. Lens support retaining clip
2. Solite lens
3. Stainless steel baffle
4. Housing
5. 5/8" gypsum board or 3/4" wood ceiling
6. Splice box
7. Lampholder- bayonet base
8. Lamps: 2 x 20W ALR 12V (by others)
9. Thermal protector
10. Transformer
11. Mounting flange
12. Reflector



ORDERING MATRIX: SWD46-INT- - - - -

SWIDLUX 46 INTEGRAL is NRTL (Nationally Recognized Testing Laboratory) certified for purposes of OSHA safety standards product-approval requirements.

Ceiling		Voltage		Transformer		Interior Finish		Aperture Lens		Additional Accessories	
G	Gypsum	120	120/12V	E	Electronic	W	White	N	None	N	None
W	Wood			AE	AFCI Electronic	C	Custom	S	Solite	O	Other
										UVC	UV Lens Coating

Contact NULUX directly to specify custom products

06/29/12