



LINEAR SWIDLUX

LINEAR WALLWASHER

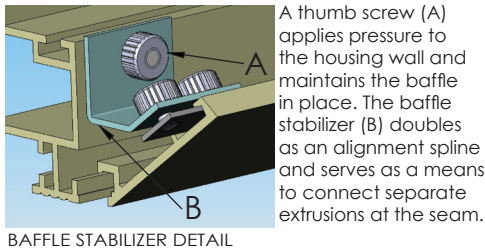
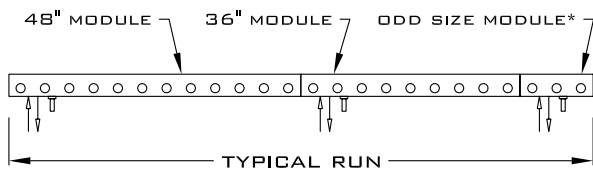
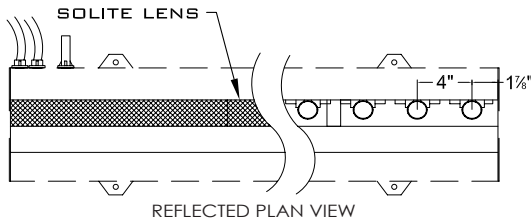
FOR WOOD OR STONE CEILINGS

LINEAR SWIDLUX is a wallwashing system that utilizes 20W 12V incandescent ALR12 lamps, with optional 4" or 6" on center spacing. The fixture has a 4-1/8" linear aperture closed by removable slanted baffles and solite lenses. LINEAR SWIDLUX expresses its function in a simple, readable form and has the flexibility to follow the contour of a room, with mitered corner options available. LINEAR SWIDLUX is an ideal solution in areas where soft, general wallwashing is desired. The system works well in intimate modern environments due to its scale, reduced glare and the soft modulation of its light field.

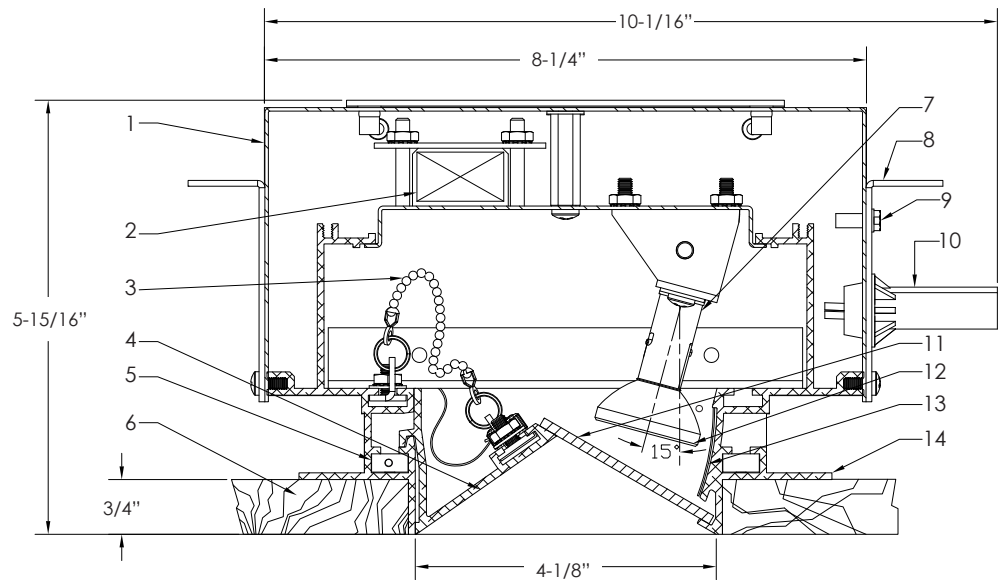
FEATURES:

- Discreet 4-1/8" wide linear aperture with solite lens
- 20W ALR12 lamps, with 4" or 6" on center spacing
- Trimless installation into wood or stone ceilings
- Baffles can be finished to match ceiling
- Standard modules available in 2,3,4 and 5 ft lengths
- Non- IC rated luminaire

LINEAR SWIDLUX is NRTL (Nationally Recognized Testing Laboratory) certified for purposes of OSHA safety standards product-approval requirements.



- NOTES:
1. Steel Housing
 2. Electronic transformer
 3. Safety chain
 4. Lens support removable aluminum baffle
 5. Mechanical connection spline
 6. 3/4" wood or stone ceiling
 7. Lampholder - bayonet base
 8. Mounting bar
 9. Ground lead
 10. Thermal protector
 11. Solite lens
 12. 20W ALR12 lamp (by others)
 13. Reflector
 14. Aluminum extrusion



ORDERING MATRIX: **LSWD-W-** _____

Length	Lamp Spacing	Transformer	Interior Finish	Lens Support Baffle Finish	Aperture Lens	Additional Accessories
Specify in even lengths of 4" or 6" increments*	4 4"	E Electronic	W White	W White	S Solite	N None
	6 6"	AE AFCI Electronic	C Custom	C Custom		O Other
						UVC UV Lens Coating
						MC Mitered Corner

*Contact NULUX directly to specify custom lengths
Layout drawing required to confirm feed locations, mechanical splines and lens layout